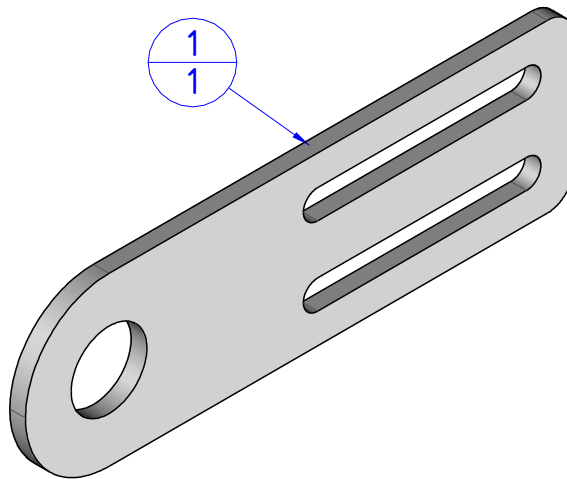
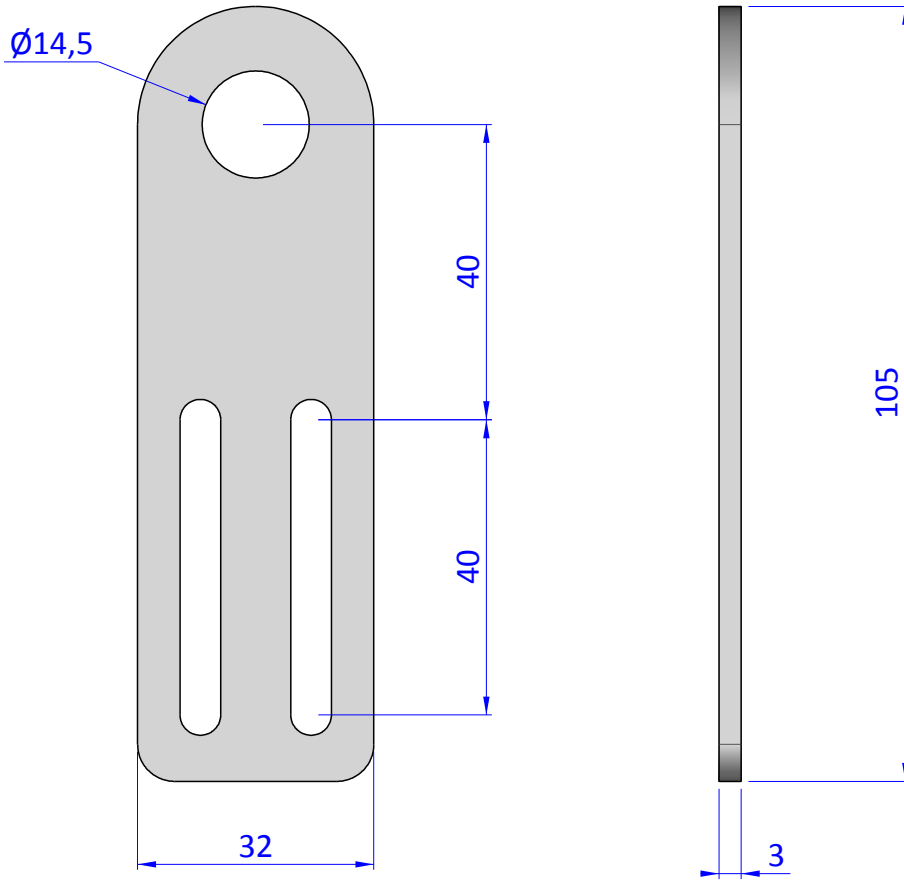


Item	Name	Q.ty
1	SCM.14	1



THE PROPERTY OF THE DRAWING IS ESTABLISHED BY LAW. IT IS FORBIDDEN TO PRODUCE OR SHOW IT TO THIRD PART. WITHOUT A WRITTEN AGREEMENT.

<b>Format</b> A4  <b>UNI 936-76</b>					DESIGNED FROM <b>FPSERVICES</b>	REVIEW <b>A</b>
	GENERAL TOLERANCE UNI - ISO 2768 CLASSE f		DESCRIPTION CA.SCM.14		DATE 13/04/2018	WEIGHT 0,061kg
					CODE <b>CA.SCM.14</b>	